



TURNBUCKLE Technical Data Sheet

Sylvan Precast Systems
7400 SW Cherry Drive
Portland, OR 97223-8041 USA
PH: (800) 842-1990
Fax: (503) 608-3939

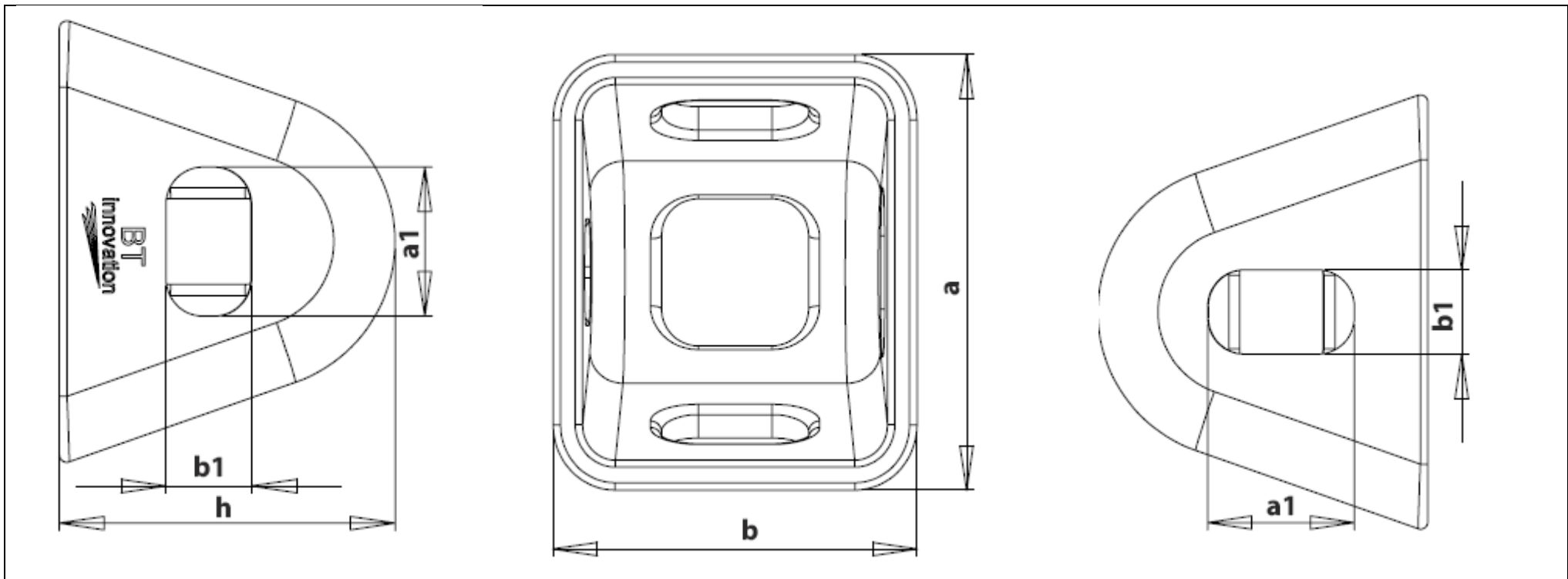
Our durable Turnbuckle is Quick, effective and dependable for connecting your prefabricated concrete sections.
These Turnbuckles are part of an innovative clamping system using screw connections and anchors embedded in prefabricated concrete, capable of supporting high shearing and tensile loads.
Offer immediate, fully loadable connection, no grouting necessary, and no need to comply with cure times.
Once properly placed, the turnbuckle connection can immediately bear a full load.



Features and Benefits:

- Quick, effective, dependable connection of prefabricated concrete sections
- Built in magnets simplify placement of the recess unit
- Concrete sections can be clamped without additional materials or special products
- Weather resistant, can be installed at temperatures below zero degrees
- Low net weight
- Resistant to tensile and shear force
- Cost and time savings through reduced assembly times and elimination of cure times.
- No need for time-consuming individual solutions
- German Engineering Institute Approval No. Z-14.4-599

Part Number	Description	Tensile Force	Lateral Force	Length(a)	Length(a1)	Breadth(b)	Breadth(b1)	Height
BT.4009082.M12ST	M12 – 1/2" Turnbuckle Housing (Galv. Steel hot-dip)	7,576 lbs.	2,100 lbs.	2.65"	1.00"	2.65"	.62"	2.00"
BT.4009076.M16ST	M16 – 5/8" Turnbuckle Housing (Galv. Steel hot-dip)	9,700 lbs.	5,889 lbs.	3.54"	1.18"	3.54"	.70"	2.55"
BT.4009075.M20ST	M20 – 3/4" Turnbuckle Housing (Galv. Steel hot-dip)	11,700 lbs.	5,575 lbs.	4.72"	1.58"	4.72"	.86	3.54"
BT.4009086.M12SET	M12 – 1/2" Turnbuckle Set*	*Includes: 1 pc. Turnbuckle Housing 2 pc. Galvanized Hex bolts 2 pc. Galvanized fitted washers						
BT.4009074.M16SET	M16 – 5/8" Turnbuckle Set*							
BT.4009072.M20SET	M20 – 3/4" Turnbuckle Set*							
BT.3003163.M12AN	M12 Threaded Pigtail Anchor	(1/2" diam. x 4-1/3" long; 12mm diam. x 110mm long)						
BT.3003067.M16AN	M16 Threaded Pigtail Anchor	(5/8" diam. x 6-7/8" long; 16mm diam. x 175mm long)						
BT.3003064.M20AN	M20 Threaded Pigtail Anchor	(3/4" diam. x 7-5/8" long; 20mm diam. x 194mm long)						



3 – M16 Turnbuckle

4 – Hex bolt

5 – Pigtail Anchor

